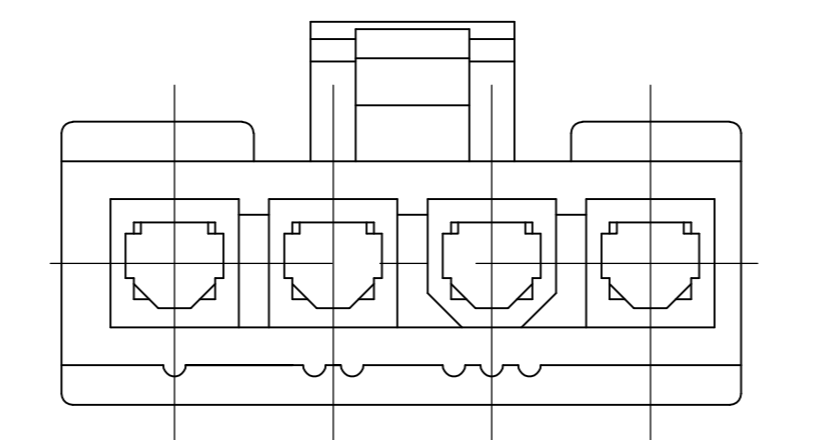
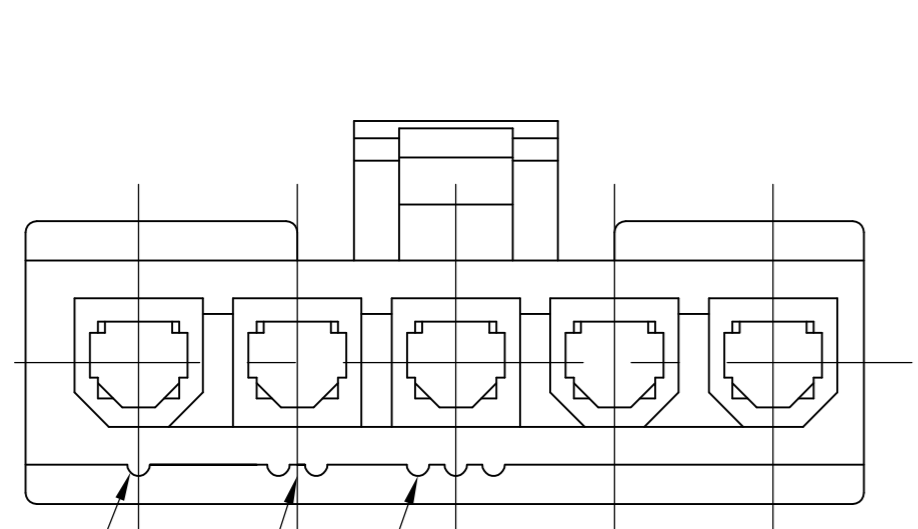
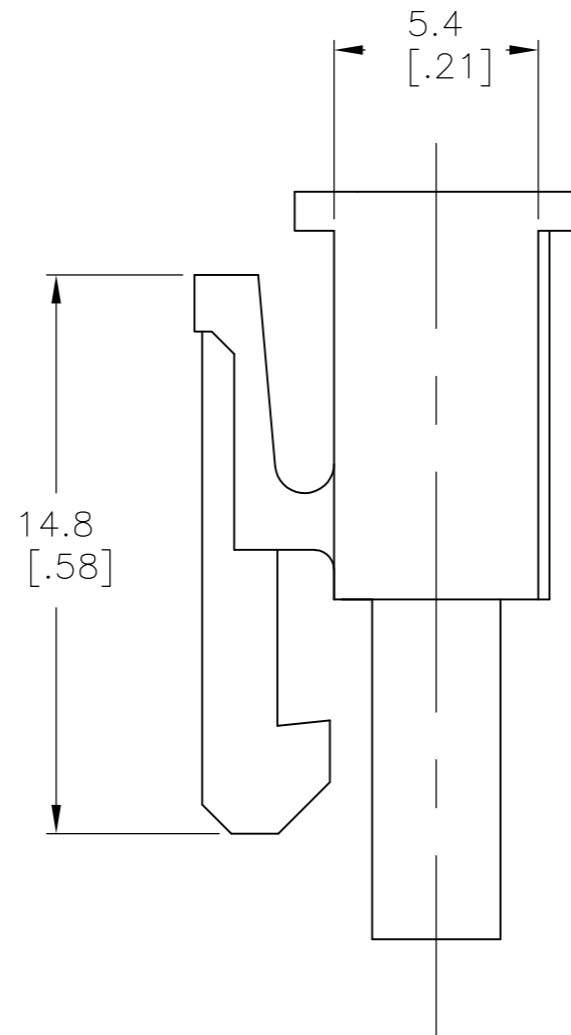
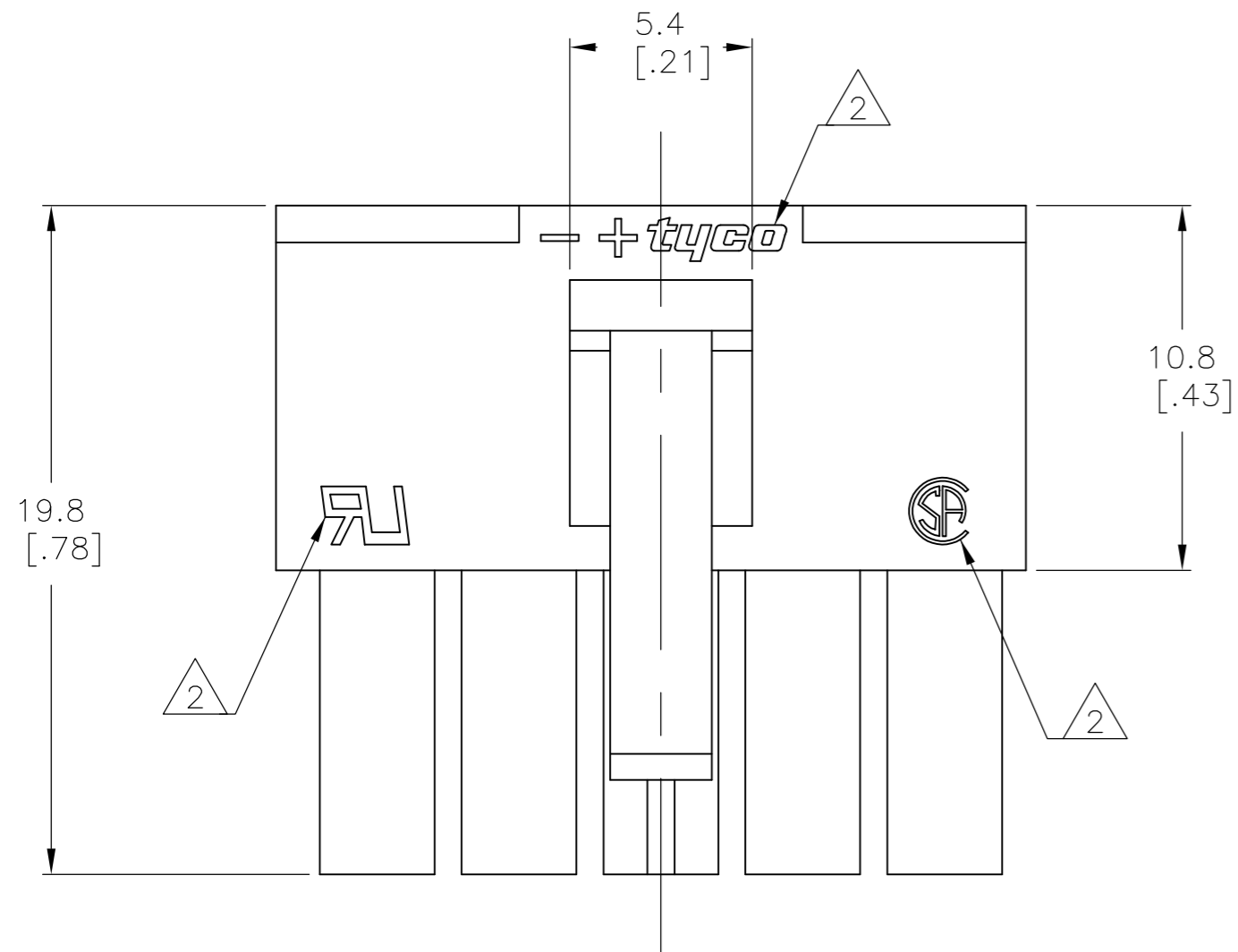
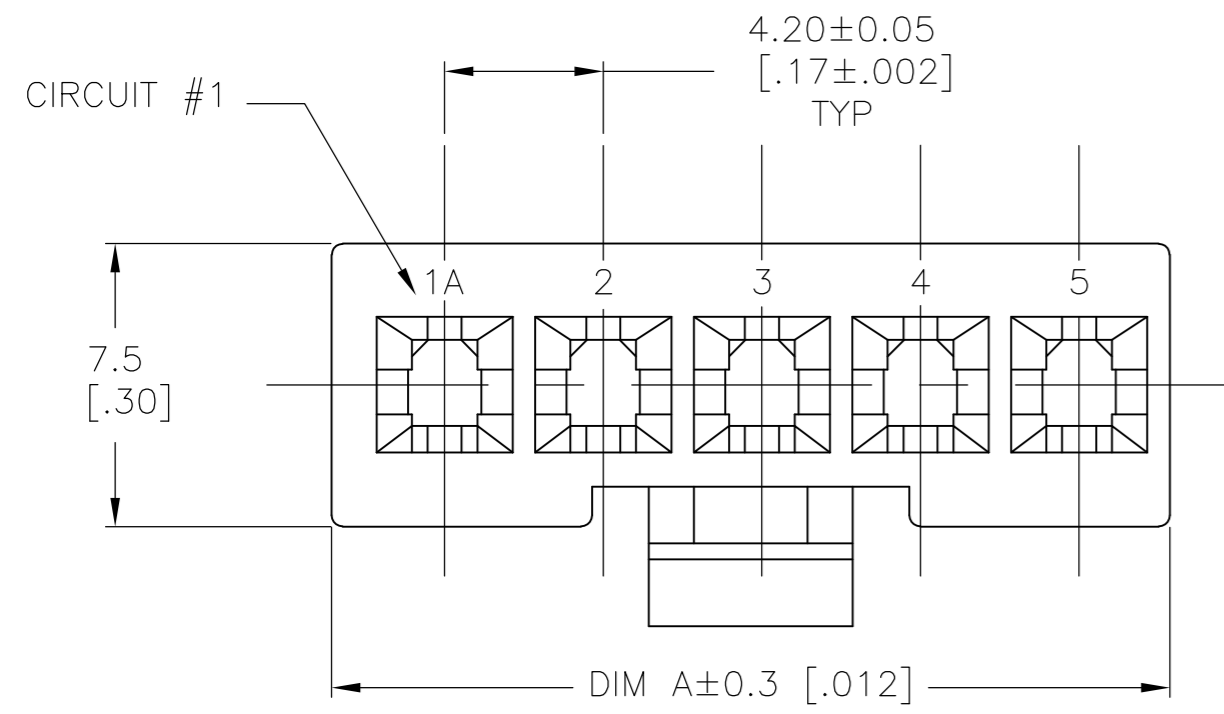


THIS DRAWING IS UNPUBLISHED. RELEASED FOR PUBLICATION
 © COPYRIGHT BY TYCO ELECTRONICS CORPORATION. ALL RIGHTS RESERVED.

LOC	DIST	REVISIONS					
CM	00	P	LTR	DESCRIPTION	DATE	DWN	APVD
		D		REVISED PER ECO-08-014350	10JUN08	HMR	CC



4 POSITION MATING FACE
(FOR POLARIZATION IDENTIFICATION)

METRIC

- 1 MATERIAL : NYLON 66 UL94V-2
- 2 TE LOGO, UL LOGO, AND CSA LOGO - SIZE, LOCATION, AND ORIENTATION OPTIONAL.

22.2 [.87]	5	1586026-5
18.0 [.71]	4	1586026-4
DIM A	POS	PART NUMBER

THIS DRAWING IS A CONTROLLED DOCUMENT.		DWN	08SEP03	Tyco Electronics Corporation	
DIMENSIONS: mm [INCHES]		S. HOOVER	08SEP03	Harrisburg, PA 17105-3608	
TOLERANCES UNLESS OTHERWISE SPECIFIED:		CHK	08SEP03	NAME	
0 PLC	± -	D. COLEY	08SEP03	RECEPTACLE, SINGLE ROW, VAL-U-LOK(TM)	
1 PLC	± 0.2 [.01]	APVD	08SEP03	SIZE	CAGE CODE
2 PLC	± -	PRODUCT SPEC	-	A2	00779
3 PLC	± -	APPLICATION SPEC	-	DRAWING NO	RESTRICTED TO
4 PLC	± -	WEIGHT	-	C=1586026	-
ANGLES	± -	CUSTOMER DRAWING	-	SCALE	SHEET
FINISH	-	SCALE	5:1	1 of 1	REV
MATERIAL	1	SCALE	5:1	1 of 1	D